



**Precision
Mixers**

Precision 80-Quart Mixer

Model V-80

Standard Equipment and Features

- » 4 - Horse Power Motor
- » 208/240 Volt
- » Single or 3-Phase
- » Gear-Reduction Transmission
- » 30-Minute Timer with automatic shut-off
- » 3-Speed
- » #12 Attachment Hub
- » Stainless Steel Bowl Guard
- » Bowl Lift Safety
- » Manual Bowl Lift
- » Dough Hook
- » Wire Whip
- » Beater/Paddle
- » Stainless Steel Bowl
- » Bowl Locking Handles
- » Bowl Stabilizer
- » Bowl Dolly, for easy transportation of mixed product
- » **Industry Leading, 3-Year Limited Parts Warranty**
- » **1-Year Full Parts and Labor Warranty**

Optional Accessories

- » 80-quart Pastry Knife
- » 40-quart Knockdown Plate
- » 40-quart Bowl
- » 40-quart Pastry Knife
- » Whip, Beater, and Hook for 40-quart Bowl
- » Whip, Beater, and Hook for 60-quart Bowl
- » 60-quart knockdown bowl

Please specify when ordering mixer.



**Built to Last . . .
Priced to Save!**

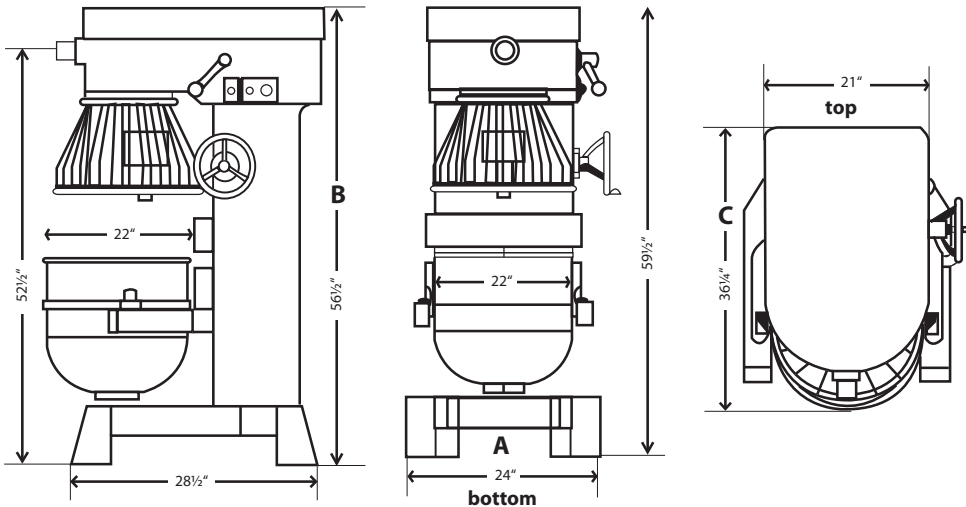
Precision North America, LLC.
60 Commerce Ave.
Albany, New York 12206



www.precisionmixers.com • Phone: 1-877-R-MIXERS (1-877-764-9377) • Fax: 518-462-3389



Specifications and Dimensions



Electrical:

- 208/240 Volt
- 1 or 3-Phase Power
- Entela Approved

Weight:

- 880 Pounds Net
- 1005 Domestic Shipping

Warranty:

- 3-Year Limited Parts, (Motor, Transmission, and Drive-Train)
- 1-Full Year Parts and Labor

Amp Draw Specifications

Phase	Volts	Amps
1	208	16.1
3	240	14

Dimensions

Mixer Body:

- A: 30" Wide
- B: 59½" High
- C: 37" Depth

Bowl:

- Outside w/handles: 25½"
- Inside: 19¾"
- Height: 19¾"

NOTE: Hub attachment not to be used while mixing

Benefits

Motor:

- Heavy Duty, 4-Horse Power
- Manual Reset Motor Overload

Bowl Lift:

- Locks in any position

Bowl Stabilizer:

- Flat Exterior Bowl Base for Bowl Stability

Attachment Hub:

- Uses standard # 12 attachments

Timer:

- Automatic shutoff at desired mixing time

**Easy Maintenance and Service
National Network of Service
Professionals**

Safety features

Bowl Guard:

- Auto shut-off when bowl guard is opened.

Lift Safety:

- Auto shut-off when bowl is lowered.

Speed	Agitator RPMs	Attachment Hub RPM's
1	104	119
2	197	226
3	331	380

Specifications are subject to change.

Precision North America, LLC.
60 Commerce Ave.
Albany, New York 12206

www.precisionmixers.com • Phone: 1-877-R-MIXERS (1-877-764-9377) • Fax: 518-462-3389

